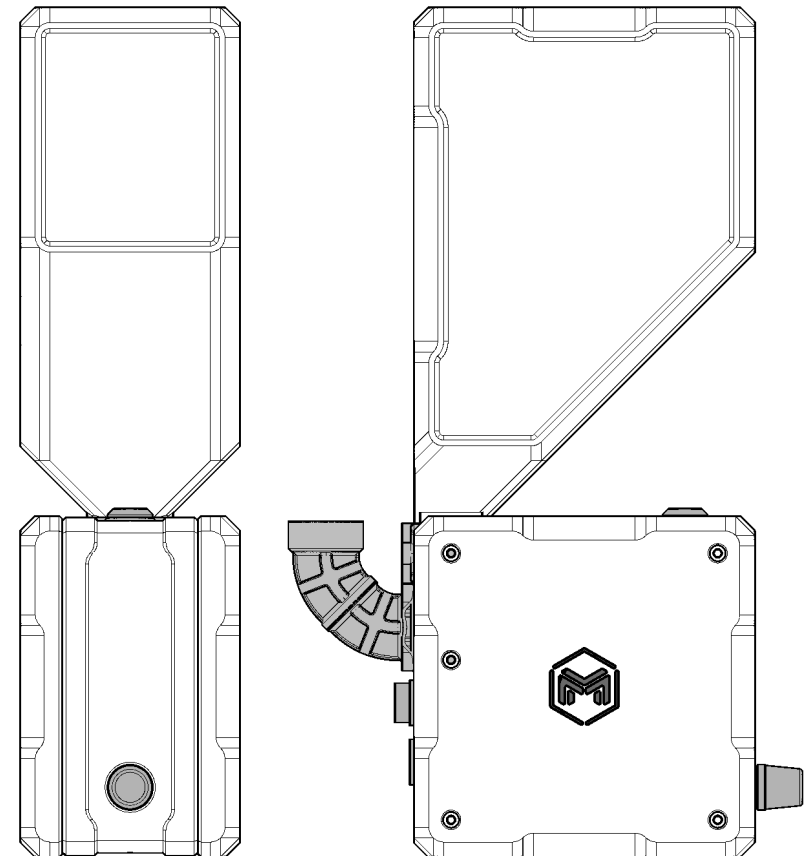
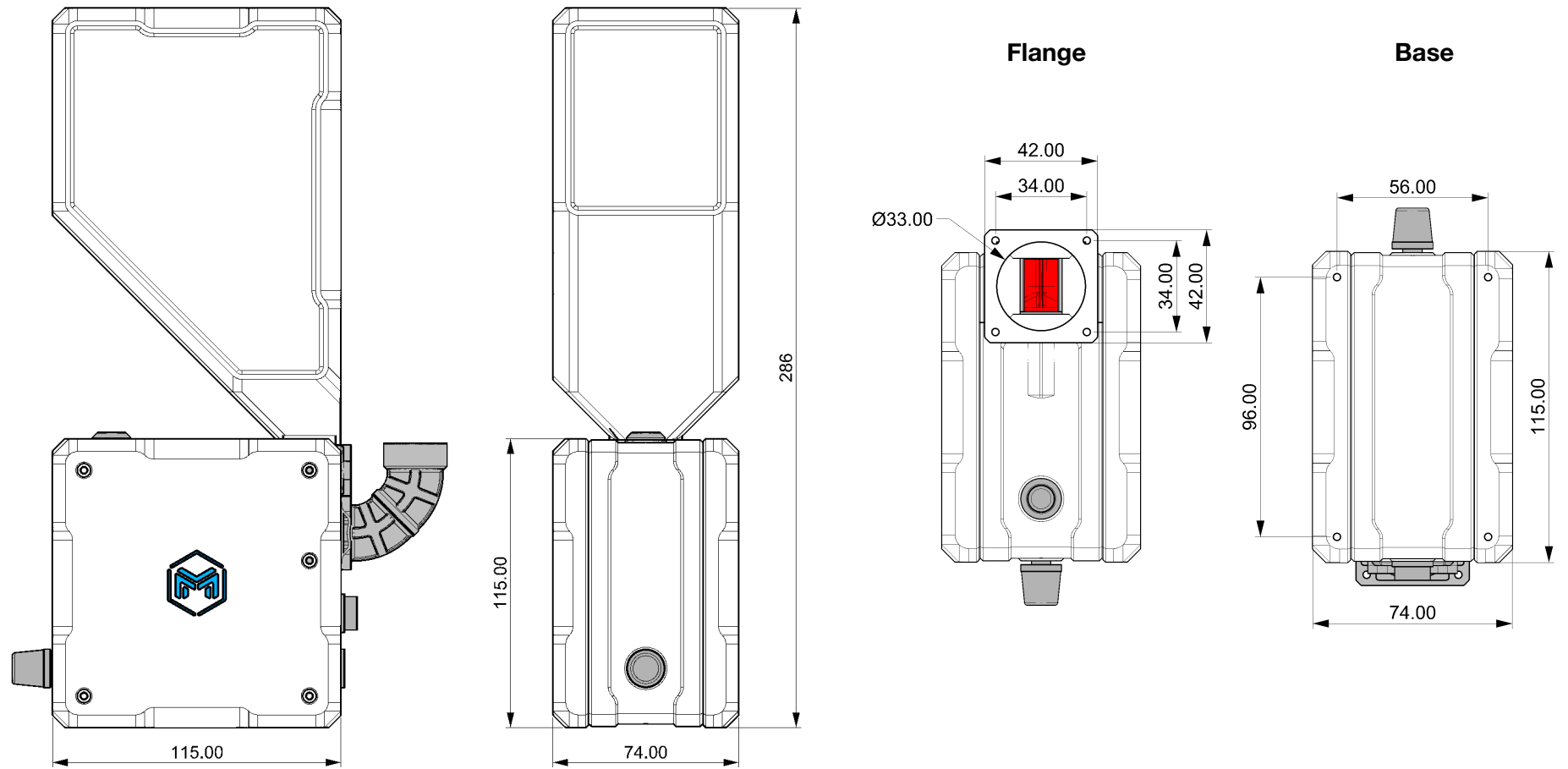


Product specifications

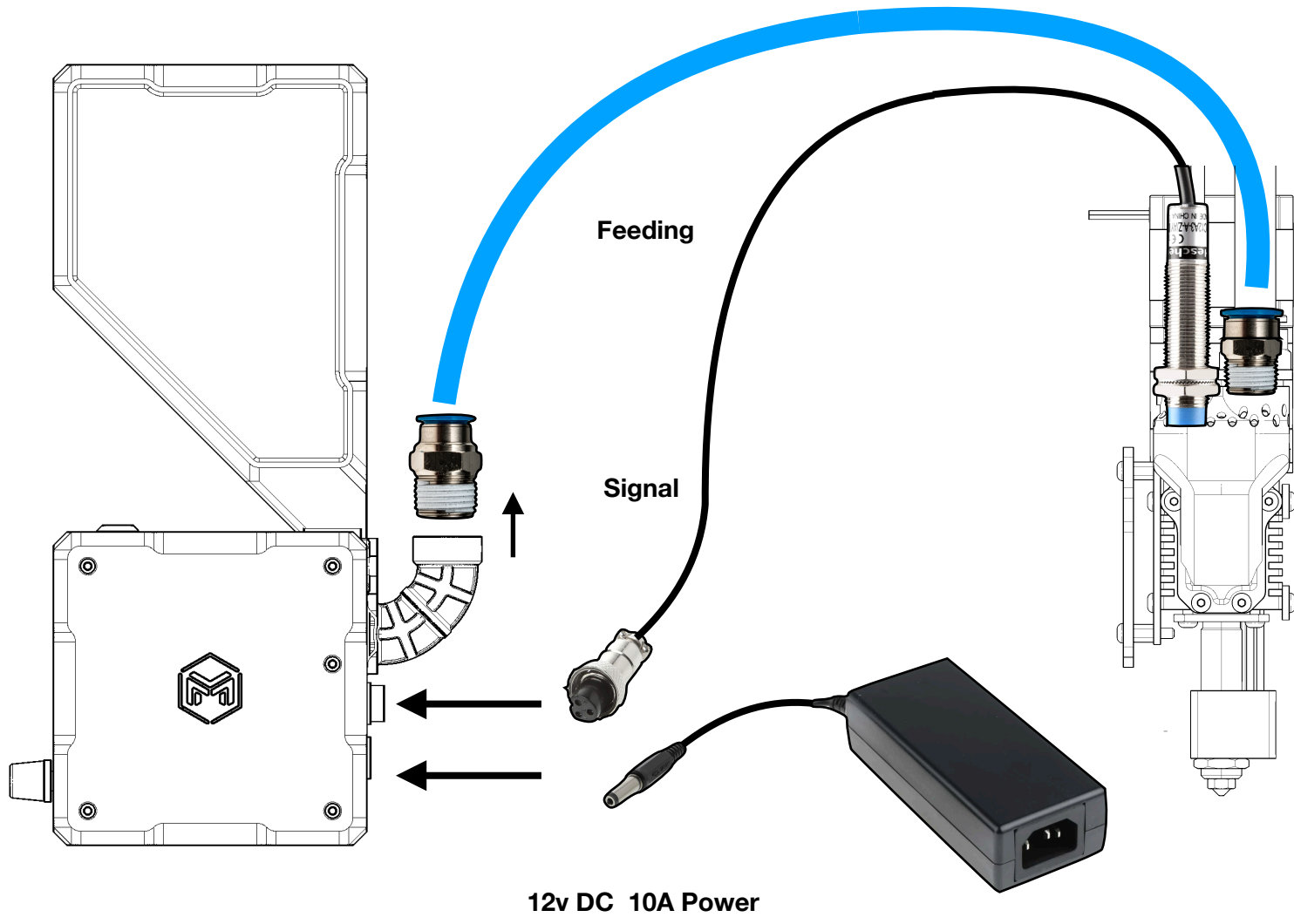
Reference	FSL-1-12	
Capability	Hopper	1L
	Dosing	2-3 kilos/hour
Consumable	Pellet	
	Diameter range	Ø1-4 mm
Tube	Outer diameter	Ø12 mm
	Inner diameter	Ø8 mm
	Length	2 m
	Material	Flexible polyurethane
Power	Supply	12VDC 100W
	Air pressure	5.5 kpa
Interface	Dosing blade switch PWM Air pressure	
Level sensor	Capacitive	Ø12mm
Measurements	75 x 115 x 186 mm	
Weight	≈1000g	



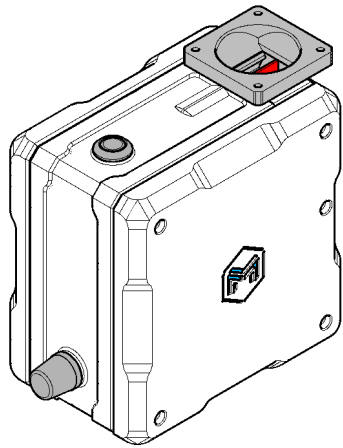
Dimensions



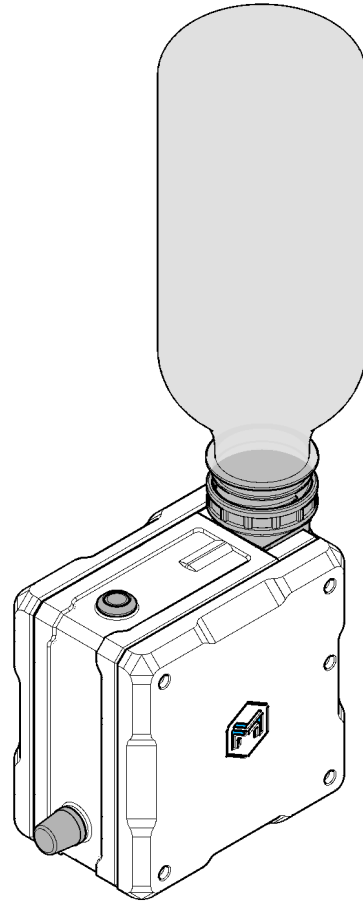
Plug and play



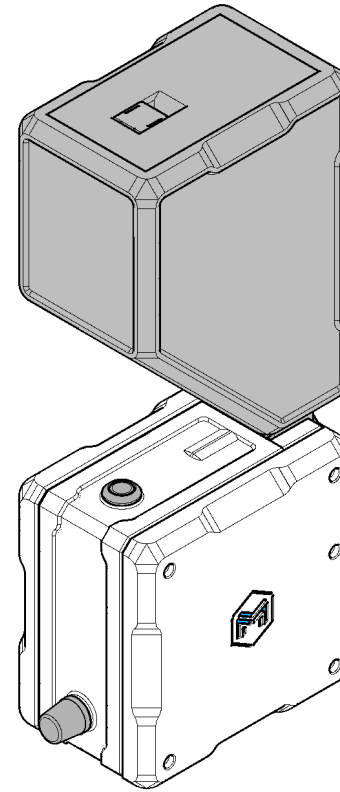
Hopper options



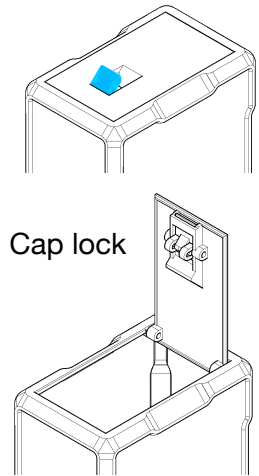
33mm flange



PET 38mm 3 start bottle

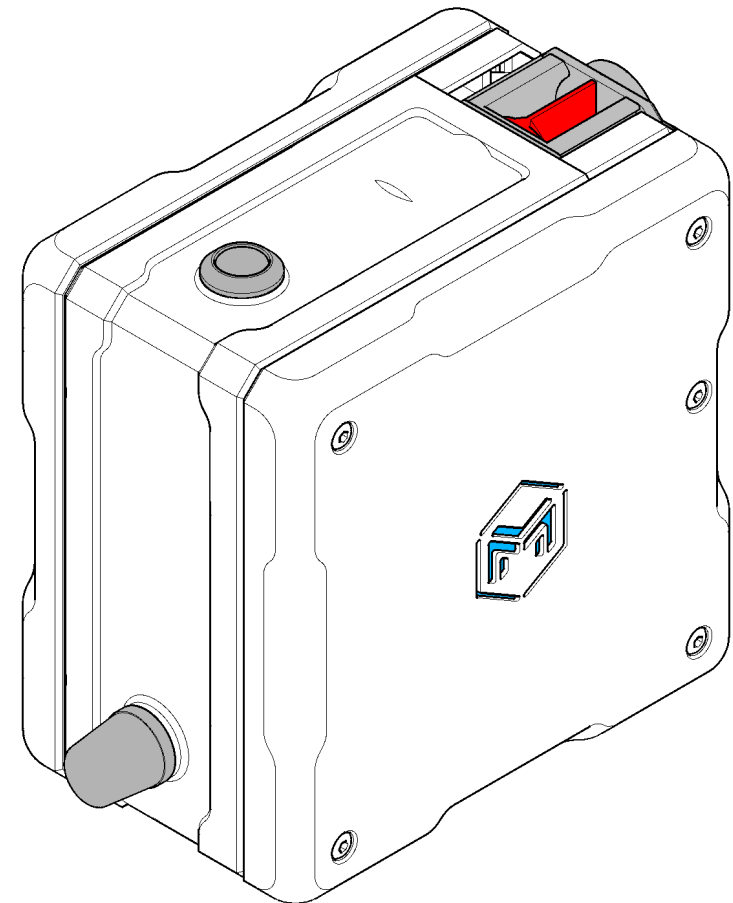
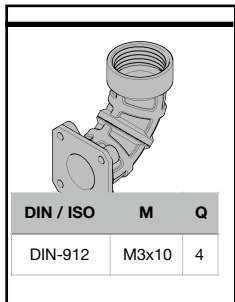
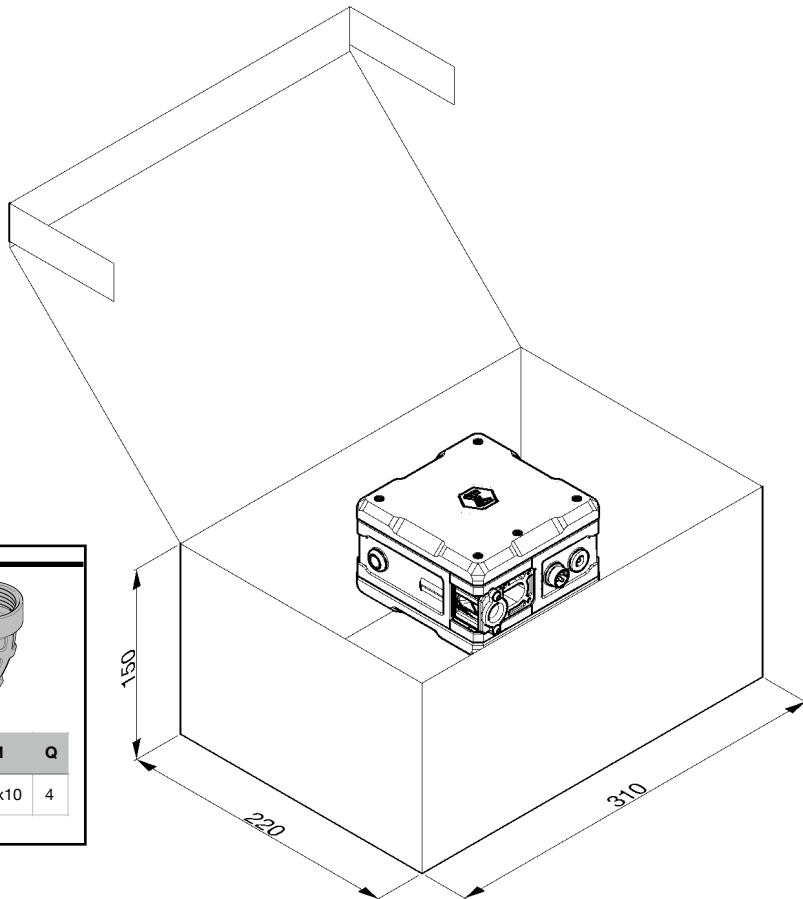
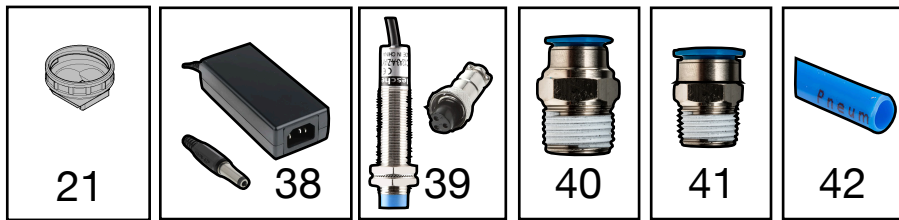


Printed hopper



Cap lock

PACK



User interface

