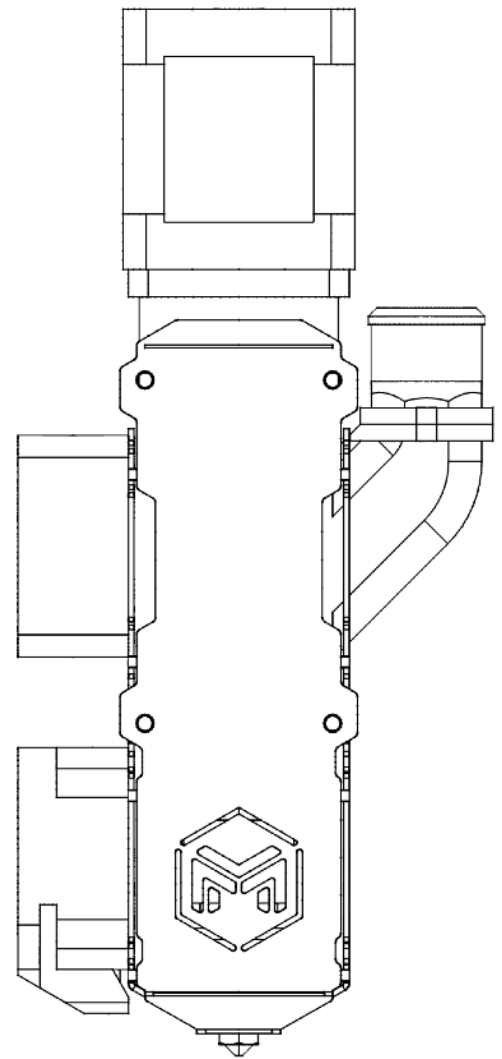


V4 Pellet Extruder

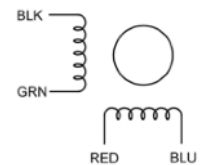
3D EXTRUDER OF GRANULATED POLYMERS

Product Specifications

Code	PX0850 v4		
Max speed*	Deposited	0.2 Kg/hour	
	Printing	60 mm/s	
	Travel	120mm/s	
	Acceleration	500 mm/s ²	
Consumable	Granulated polymers		
	Range Diameter	1-4 mm	
	Inlet diameter	20mm	
Screw	Diameter	8 mm	
	Useful length	50 mm	
	Total length	80 mm	
Nozzle	Standard diameter	0.8 mm	
	Minimum diameter	0.4 mm	
	Maximum diameter	2 mm	
Heater	50 W 12v / 24v Maximum temperature 300 °C.		
Thermistor	NTC100K		
Cooler	Head fan	Axial 12v / 24v	
	Layer fan	Centrifugal 12v / 24v	
Stepper	Type	NEMA 17 bipolar	
	Reducer	Metal planetary	
	Ratio	5.18: 1	
	Power	1.68 amps	
	Connection (view picture)		



A+	A-	B+	B-
Black	Green	Red	Blue



Dimensions 190 mm x 86 mm x 42 mm

Weight 750g

* ABS-HF (high flow) nozzle printing values 0.8mm and layer height 0.4mm. Different materials or nozzle diameters may result in different values.

IAMTECH

Industrial Additive Manufacturing



MAHOR XYZ
Pellet Extruder